



BERTAZZONI

PRICE LIST

EFFECTIVE 1ST DECEMBER 2025



MADE IN ITALY SINCE 1882

THE BERTAZZONI HISTORY



2023

REGISTER OF HISTORIC ITALIAN COMPANY

2010s

THE COMPLETE COORDINATED KITCHEN LINE UP



2005

TOTAL QUALITY OPENS DOORS TO AMERICA

2000s

LEAN PRODUCTION PROCESS

Paolo and Elisabetta . V generation



1960s

INTO FAR DISTANT LANDS

1953

THE GAS REVOLUTION



1930s

STYLED FOR THE KITCHEN

Francesco . IV generation



1923

BEGINNING THE BRAND STORY

Napoleone and Angela . III generation

1920s

THE BEGINNING OF MASS PRODUCTION

1910s

FIRST FACTORY

1907

FIRST WOOD BURNING STOVE

1890s

SCALES AND PRECISION MEASUREMENT TOOLS

Francesco and Antonio . I - II generation

1882

THE BERTAZZONI HISTORY BEGINS



HERITAGE SERIES DUAL FUEL COOKERS



Heritage Series
QR Code



AV HER126G2EAVT NE HER126G2ENET XT HER126G2EXT

AV HER96L1EAVT NE HER96L1ENET XT HER96L1EXT

1200mm multi-function electric double oven (Decorative rail overhangs width 33mm each side, refer to image above. Flat-end caps available.)

6 brass burners including dual control high output burner (18mj)

Electric Teppan-yaki griddle

Flame failure

Cast iron pan supports

Two 11 function 71 litre electric ovens

Heritage controls

Analogue thermometer dial

Self-cleaning catalytic liners

Telescopic sliding rails

Triple glaze soft close door

Soft close storage drawer

6000 W (25 amp) connection

5 year warranty (from date of installation)



900mm electric oven (Decorative rail overhangs width 33mm each side, refer to image above. Flat-end caps available.)

6 brass burners including dual control high output burner (18mj)

Flame failure

Cast iron pan supports

11 function 105 litre electric oven

Heritage controls

Analogue thermometer dial

Self-cleaning catalytic liners

Telescopic sliding rails

Triple glaze soft close door

Soft close storage drawer

3500 W (15 amp) connection

5 year warranty (from date of installation)



RRP \$19,999

RRP \$9,999

HERITAGE SERIES INDUCTION COOKERS



AV HER125I2EAVT NE HER125I2ENET XT HER125I2EXT

1200mm multi-function electric double oven (Decorative rail overhangs width 33mm each side, refer to image above. Flat-end caps available.)

- 5 zone induction including 2 multi-zones
- Electric Teppan-yaki griddle
- Two 11 function 71 litre electric ovens
- Power limitation adjustment
- Heritage controls - Analogue thermometer dial
- Self-cleaning catalytic liners
- Telescopic sliding rails
- Triple glaze soft close door
- Soft close storage drawer
- 13400 W (56 amp) connection
- 5 year warranty (from date of installation)



RRP \$21,999



AV HER105I2EAVT NE HER105I2ENET

1000mm electric double oven (Decorative rail overhangs width 33mm each side, refer to image above. Flat-end caps available.)

- 5 zone induction including 2 multi-zones
- Main oven 11 function 71 litre
- Auxiliary conventional oven 55 litre
- Power limitation adjustment
- Heritage controls - Analogue thermometer dial
- Self-cleaning catalytic liners
- Telescopic sliding rails
- Triple glaze soft close door
- Soft close storage drawer
- 11700 W (49 amp) connection
- 5 year warranty (from date of installation)



RRP \$15,999



AV HER105I3EAVT NE HER105I3ENET

1000mm electric triple oven (Decorative rail overhangs width 33mm each side, refer to image above. Flat-end caps available.)

- 5 zone induction including 2 multi-zones
- Main oven 11 function 71 litre electric oven
- Auxiliary conventional oven 55 litre/Third oven 25 litre grill function
- Power limitation adjustment
- Heritage controls - Analogue thermometer dial
- Self-cleaning catalytic liners - Telescopic sliding rails
- Triple glaze soft close door
- Soft close storage drawer - Toekick panel
- 14100 W (59 amp) connection
- 5 year warranty (from date of installation)



RRP \$18,999



AV HER95I2EAVT NE HER95I2ENET XT HER95I2EXT

900mm electric double oven (Decorative rail overhangs width 33mm each side, refer to image above. Flat-end caps available.)

- 5 zone induction with 2 multi-zones
- Main oven 11 function 71 litre electric oven
- Auxiliary conventional oven 40 litre
- Power limitation adjustment
- Heritage controls - Analogue thermometer dial
- Self-cleaning catalytic liners - Telescopic sliding rails
- Triple glaze soft close door
- Soft close storage drawer
- 11500 W (48 amp) connection
- 5 year warranty (from date of installation)



RRP \$13,999



AV HER9511EAVT NE HER9511ENET XT HER9511EXT

AV K90HERTX/KC36HERTAV Ivory/Stainless Steel (AV)
 NE K90HERTX/KC36HERTNE Matt Black/Stainless Steel (NE)
 XT K90HERTX/KC36HERTX Stainless Steel/Stainless Steel (XT)

900mm multi-function election oven (Decorative rail overhangs width 33mm each side, refer to image above. Flat-end caps available.)
 5 zone induction including 2 multi-zones
 11 function 105 litre election oven
 Power limitation adjustment
 Heritage controls - Analogue thermometer dial
 Self-cleaning catalytic liners
 Telescopic sliding rails
 Triple glaze soft close door
 Soft close storage drawer
 10900 W (46 amp) connection
 5 year warranty (from date of installation)



AV K100HERTX/KC36HERTAV Ivory/Stainless Steel (AV)
 NE K100HERTX/KC36HERTNE Matt Black/Stainless Steel (NE)
 XT K100HERTX/KC36HERTX Stainless Steel/Stainless Steel (XT)

900mm and 1000mm wall mount hood
 Electronic button controls
 4 extraction levels including booster
 752 m³h extraction power
 Noise level 45 - 67dBA
 Twin LED lights
 Hood chimney height is adjustable to 1373mm
 5 year warranty (from date of installation)

900mm



1000mm



RRP \$11,999

RRP 900mm: \$5,499 | 1000mm: \$5,999



Heritage Series Colour Legend:

- AV Ivory/Stainless Steel (AV)
- NE Matt Black/Stainless Steel (NE)
- XT Stainless Steel/Stainless Steel (XT)

AV K120HERTX/KC48HERTAV Ivory/Stainless Steel (AV)
 NE K120HERTX/KC48HERTNE Matt Black/Stainless Steel (NE)
 XT K120HERTX/KC48HERTX Stainless Steel/Stainless Steel (XT)

1200mm wall mount hood
 Electronic button controls
 4 extraction levels including booster
 752 m³h extraction power
 Noise level 45 - 67dBA
 Twin LED lights
 Hood chimney height is adjustable to 1373mm
 5 year warranty (from date of installation)

RRP \$6,499

COLLEZIONE METALLI ACCESSORIES



- 901592 Gold (G) 900mm/1200mm
- 901593 Copper (C) 900mm/1200mm
- 901594 Black Nickel (BN) 900mm/1200mm



Suits all Heritage Series 900mm, 1000mm, 1100mm and 1200mm cookers. Includes handle ends for K90, K100 and K120 rail.

RRP \$999

HERITAGE SERIES

BUILT-IN OVENS



Heritage Series
QR Code



AX F609HEREKTAX NE F609HEREKTNE AG F609HEREKTAG

AX F6011HERVPTAX/23 NE F6011HERVPTNE/23
AG F6011HERVPTAG

PYRO COMBI-STEAM

600mm built-in electric oven
9 function 80 litre oven
Heritage controls
Analogue thermometer dial
Heavy duty oven racks
Soft close double layer glass door
2700 W (12 amp) connection
5 year warranty (from date of installation)



600mm built-in pyrolytic combi-steam oven
11 function 80 litre oven
Pyrolytic self-cleaning and hydro-cleaning (steam function)
"Touch" TFT interface with Bertazzoni Assistant
Heritage controls
Heavy duty oven racks
Telescopic sliding rails
Multi sensor food probe
Soft close quad layer glass door
2800 W (12 amp) connection
5 year warranty (from date of installation)



RRP AX F609HEREKTAX NE F609HEREKTNE \$2,799
AG F609HEREKTAG \$2,999 (Gold)

RRP AX F6011HERVPTAX/23 NE F6011HERVPTNE/23 \$5,499
AG F6011HERVPTAG \$5,799 (Gold)

COMBI-MICROWAVE

WARMING DRAWER



<p>AX F457HERMWTAX NE F457HERMWTNE</p> <p>AG F457HERMWTAG (Gold)</p> <p>450mm built-in combi-microwave oven 7 function 32 litre combi-microwave Microwave: 5 power levels including boost function "Touch" TFT interface Bertazzoni Assistant Heritage controls 3400 W (15 amp) connection 5 year warranty (from date of installation)</p> <p>RRP AX F457HERMWTAX NE F457HERMWTNE \$4,199 AG F457HERMWTAG \$4,499</p>	<p>AX WD60HERA NE WD60HERNE</p> <p>600mm gourmet warming drawer Function slow-cooking 30-85°C temperature range Thermostat light: on/off Push/pull with soft motion operation Cavity capacity: 25kg 400 W connection 5 year warranty (from date of installation)</p>
---	--



Heritage Series Colour Legend: **AX** Ivory/Stainless Steel (AX) | **NE** Matt Black/Stainless Steel (NE) | **AG** Ivory/Gold (AG)

HERITAGE SERIES - TEXTURED FINISH



The Heritage Series aesthetic was inspired by the original Bertazzoni stoves created by Napoleone Bertazzoni at the beginning of the 20th century. Taking styling cues from the past is one thing, but you can be certain that the Series is engineered to the high standards Bertazzoni is renowned for, with state-of-the-art-technology.









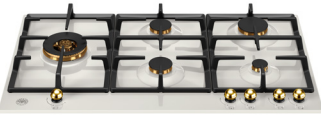



The Heritage Series is available in three beautiful finishes; Ivory, Matt Black and Stainless Steel.

Further personalise your Heritage Series appliances with the Collezione Metalli knobs and handle ends which are available in Gold, Copper or Black Nickel finish (refer to page 5).

GAS COOKTOPS

HERITAGE SERIES

MODEL	DESCRIPTION	RRP
P604LHERNE P604LHERAX	600mm 4 brass burner gas cooktop including high output burner (14.4mj) Enamelled steel cooktop Heritage controls Flame failure auto safety shut Automatic ignition Cast iron pan supports 5 year warranty	\$1,649
	600mm (w) x 520mm (d) NE Black (N) AX Ivory (AX)	
P755CHERNE P755CHERAX	750mm 5 brass burner gas cooktop including central high output burner (14.4mj) Enamelled steel cooktop Heritage controls Flame failure auto safety shut Automatic ignition Cast iron pan supports 5 year warranty	\$1,899
	750mm (w) x 520mm (d) NE Black (N) AX Ivory (AX)	
P755CHERAG	750mm 5 brass burner gas cooktop including central high output burner (14.4mj) Enamelled steel cooktop Heritage controls Flame failure auto safety shut Automatic ignition Cast iron pan supports 5 year warranty	\$2,099
	750mm (w) x 520mm (d) AG Ivory/Gold (AG)	
P905LHERNE P905LHERAX	900mm 5 brass burner gas cooktop including lateral high output burner (18mj) Enamelled steel cooktop Heritage controls Flame failure auto safety shut Automatic ignition Cast iron pan supports 5 year warranty	\$1,999
	900mm (w) x 520mm (d) NE Black (N) AX Ivory (AX)	
P905LHERAG	900mm 5 brass burner gas cooktop including lateral high output burner (18mj) Enamelled steel cooktop Heritage controls Flame failure auto safety shut Automatic ignition Cast iron pan supports 5 year warranty	\$2,199
	900mm (w) x 520mm (d) AG Ivory/Gold (AG)	

PROFESSIONAL SERIES AIR-TEC



* Recirculating toekick pictured (not included).

- X PROCH9411EXT NE PROCH9411ENET RO PROCH9411EROT
- AR PROCH9411EART BI PROCH9411EBIT GI PROCH9411EGIT
- CA PROCH9411ECAT

* Orange, Yellow & Red are special orders. Deposits are non-refundable.
Available approximately three (3) months from date of order.

- 900mm multi-function electric oven
- 4 zone induction including 2 multi-zones
- 10 speed 600m³/h down draft ventilation (recirculating kit optional)
- 4 litre spill-safe down draft containment
- 11 function 105 litre electric oven
- Power limitation adjustment
- Digital display & food probe
- Self-cleaning catalytic liners
- Telescopic sliding rails
- Triple glaze soft close door
- 11000 W (46 amp) connection
- 5 year warranty (from date of installation)



* **Minimum cooker height 910mm.**

RRP \$13,999

- Toekick and Recirculating Filter sold separately.
See Accessories available on page 22.



PROFESSIONAL SERIES DUAL FUEL COOKERS



Professional Series
QR Code



X PRO126G2EXT
 NE PRO126G2ENET
 RO PRO126G2EROT
AR PRO126G2EART
 BI PRO126G2EBIT
 GI PRO126G2EGIT

* Orange, Yellow & Red are special orders. Deposits are non-refundable.
Available approximately three (3) months from date of order.

- 1200mm multi-function electric double oven
- 6 brass burners including dual control high output burner (18mj)
- Electric Teppan-yaki griddle
- Flame failure
- Cast iron pan supports
- Two 11 function 71 litre electric ovens
- Digital display & food probe
- Self-cleaning catalytic liners
- Telescopic sliding rails
- Triple glaze soft close door
- Soft close storage drawer
- 6000 W (25 amp) connection
- 5 year warranty (from date of installation)



RRP \$13,499

X PRO96L1EXT
 NE PRO96L1ENET
 RO PRO96L1EROT
AR PRO96L1EART
 BI PRO96L1EBIT
 GI PRO96L1EGIT

* Orange, Yellow & Red are special orders. Deposits are non-refundable.
Available approximately three (3) months from date of order.

- 900mm multi-function electric oven
- 6 brass burners including dual control high output burner (18mj)
- Flame failure
- Cast iron pan supports
- 11 function 105 litre electric oven
- Digital display & food probe
- Self-cleaning catalytic liners
- Telescopic sliding rails
- Triple glaze soft close door
- Soft close storage drawer
- 3500 W (15 amp) connection
- 5 year warranty (from date of installation)



RRP \$8,499



PROFESSIONAL SERIES

MASTER SERIES



X PRO906MFESXE

900mm multi-function electric oven
 6 brass burners including dual control high output burner (18mj)
 Flame failure
 Cast iron pan supports
 11 function 147 litre electric oven
 Twin oven fans
 Digital display & food probe
 Self-cleaning catalytic liners
 Telescopic sliding rails
 Triple glaze door
 Storage compartment
 3500 W (15 amp) connection
 5 year warranty (from date of installation)



RRP \$4,999

NE MPL96L1ETNC (MATT BLACK)

900mm multi-function electric oven
 6 burners including dual control high output burner (18mj)
 Flame failure
 Cast iron pan supports
 11 function 147 litre electric oven
 Twin oven fans
 Digital display
 Self-cleaning catalytic liners
 Telescopic sliding rails
 Triple glaze door
 Storage compartment
 3500 W (15 amp) connection
 5 year warranty (from date of installation)



RRP \$3,799

PROFESSIONAL SERIES - AUTOMOTIVE FINISH



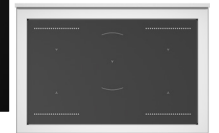
Bertazzoni designers and engineers were inspired by the flawless paintwork found on beautiful Italian sports cars.

Partnering with Northern Italy's sports car manufacturer, the same automotive paint finish is applied to the Bertazzoni Professional Series cookers. Highly skilled craftsmen apply multiple layers of colour by hand, the result, a durable, resistant to acids and temperature corrosion finish - unmatched by any other brand on the market.

Available in six high-gloss colours: Black, White, Yellow, Orange, Red, plus our unique finish - Carbonio.

PROFESSIONAL SERIES INDUCTION COOKERS

Professional Series
QR Code



X PRO125I2EXT
 NE PRO125I2ENET
 RO PRO125I2EROT
AR PRO125I2EART
 BI PRO125I2EBIT
 GI PRO125I2EGIT

* Orange, Yellow & Red are special orders. Deposits are non-refundable.
Available approximately three (3) months from date of order.

1200mm multi-function electric double oven
 5 zone induction including 2 multi-zones
 Electric Teppan-yaki griddle
 Two 11 function 71 litre electric ovens
 Power limitation adjustment
 Digital display & food probe
 Self-cleaning catalytic liners
 Telescopic sliding rails
 Triple glaze soft close door
 Soft close storage drawer
 13400 W (56 amp) connection
 5 year warranty (from date of installation)



RRP \$15,499

X PRO115I3EXT
 NE PRO115I3ENET
 RO PRO115I3EROT
AR PRO115I3EART
 BI PRO115I3EBIT
 GI PRO115I3EGIT

* Orange, Yellow & Red are special orders. Deposits are non-refundable.
Available approximately three (3) months from date of order.

1100mm electric triple oven
 5 zone induction including 2 multi-zones
 Main oven 11 function 71 litre electric oven
 Auxiliary conventional oven 55 litre/Third oven 25 litre grill function
 Power limitation adjustment
 Digital display & food probe
 Self-cleaning catalytic liners
 Telescopic sliding rails
 Triple glaze soft close door
 Soft close storage drawer
 Toekick panel
 11500 W (48 amp) connection
 5 year warranty (from date of installation)



RRP \$15,999



X PRO105I3EXT NE PRO105I3ENET RO PRO105I3EROT
 AR PRO105I3EART BI PRO105I3EBIT GI PRO105I3EGIT
 CA PRO105I3ECAT

* Orange, Yellow & Red are special orders. Deposits are non-refundable.
 Available approximately three (3) months from date of order.

1000mm electric triple oven
 5 zone induction including 2 multi-zones
 Main oven 11 function 71 litre electric oven
 Auxiliary conventional oven 55 litre/Third oven 25 litre grill function
 Power limitation adjustment - Digital display & food probe
 Self-cleaning catalytic liners
 Telescopic sliding rails - Triple glaze soft close door
 Soft close storage drawer - Toekick panel
 14100 W (59 amp) connection
 5 year warranty (from date of installation)



RRP \$14,999

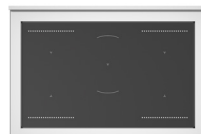
X PRO105I2EXT NE PRO105I2ENET RO PRO105I2EROT
 AR PRO105I2EART BI PRO105I2EBIT GI PRO105I2EGIT
 CA PRO105I2ECAT

* Orange, Yellow & Red are special orders. Deposits are non-refundable.
 Available approximately three (3) months from date of order.

1000mm electric double oven
 5 zone induction including 2 multi-zones
 Main oven 11 function 71 litre electric oven
 Auxiliary conventional oven 55 litre
 Power limitation adjustment - Digital display & food probe
 Self-cleaning catalytic liners
 Telescopic sliding rails - Triple glaze soft close door
 Soft close storage drawer
 11700 W (49 amp) connection
 5 year warranty (from date of installation)



RRP \$13,999



X PRO95I2EXT NE PRO95I2ENET RO PRO95I2EROT
 AR PRO95I2EART BI PRO95I2EBIT GI PRO95I2EGIT
 CA PRO95I2ECAT

* Orange, Yellow & Red are special orders. Deposits are non-refundable.
 Available approximately three (3) months from date of order.

900mm electric double oven
 5 zone induction including 2 multi-zones
 Main oven 11 function 71 litre - Auxiliary conventional oven 40 litre
 Power limitation adjustment - Digital display & food probe
 Self-cleaning catalytic liners - Telescopic sliding rails
 Triple glaze soft close door
 Soft close storage drawer
 11500 W (48 amp) connection
 5 year warranty (from date of installation)



RRP \$12,999

X PRO95I1EXT NE PRO95I1ENET RO PRO95I1EROT
 AR PRO95I1EART BI PRO95I1EBIT GI PRO95I1EGIT
 CA PRO95I1ECAT

* Orange, Yellow & Red are special orders. Deposits are non-refundable.
 Available approximately three (3) months from date of order.

900mm electric oven
 5 zone induction including 2 multi-zones
 11 function 105 litre electric oven
 Power limitation adjustment - Digital display & food probe
 Self-cleaning catalytic liners - Telescopic sliding rails
 Triple glaze soft close door
 Soft close storage drawer
 10900 W (46 amp) connection
 5 year warranty (from date of installation)



RRP \$9,999

INDUCTION COOKERS

MASTER SERIES



<p>X PRO9051MFESXE</p>	<p>NE MPL9511ETNT (MATT BLACK)</p>
<p>900mm electric oven 5 zone induction 11 function 147 litre electric oven Twin oven fans Digital display & food probe Self-cleaning catalytic liners Telescopic sliding rails Triple glaze door Storage compartment 10900 W (46 amp) connection 5 year warranty (from date of installation)</p>	<p>900mm electric oven 5 zone induction including 1 multi-zone 11 function 147 litre electric oven Power limitation adjustment Twin oven fans Digital display Self-cleaning catalytic liners Telescopic sliding rails Triple glaze door Storage compartment 10900 W (46 amp) connection 5 year warranty (from date of installation)</p>
<p>RRP \$6,499</p>	<p>RRP \$4,999</p>



PROFESSIONAL SERIES

BUILT-IN OVENS



Professional Series
QR Code



X F6011PROPTX/23 N F6011PROPTN/23	X F6011PROVPTX/23 N F6011PROVPTN/23 PYRO COMBI-STEAM
600mm built-in pyrolytic electric oven 11 function 80 litre oven Pyrolytic self-cleaning "Touch" TFT interface with Bertazzoni Assistant Heavy duty oven racks Telescopic sliding rails Multi sensor food probe Soft close quad layer glass door 2800 W (12 amp) connection 5 year warranty (from date of installation)	600mm built-in pyrolytic combi-steam oven 11 function 80 litre oven Pyrolytic self-cleaning and hydro-cleaning (steam function) "Touch" TFT interface with Bertazzoni Assistant Heavy duty oven racks Telescopic sliding rails Multi sensor food probe Soft close quad layer glass door 2800 W (12 amp) connection 5 year warranty (from date of installation)
RRP \$3,299	RRP \$4,999



PROFESSIONAL SERIES

COMBI-MICROWAVE

WARMING DRAWER



X F457PROMWTX N F457PROMWTN

X WD60X N WD60N

450mm built-in combi-microwave oven
 7 function 32 litre combi-microwave
 Microwave: 5 power levels including boost function
 "Touch" TFT interface and control knobs
 Bertazzoni Assistant
 3400 W (15 amp) connection
 5 year warranty (from date of installation)



600mm gourmet warming drawer
 Function slow-cooking
 30-85°C temperature range
 Thermostat light: on/off
 Push/pull with soft motion operation
 Cavity capacity: 25kg
 400 W connection
 5 year warranty (from date of installation)



RRP \$3,799

RRP \$1,499

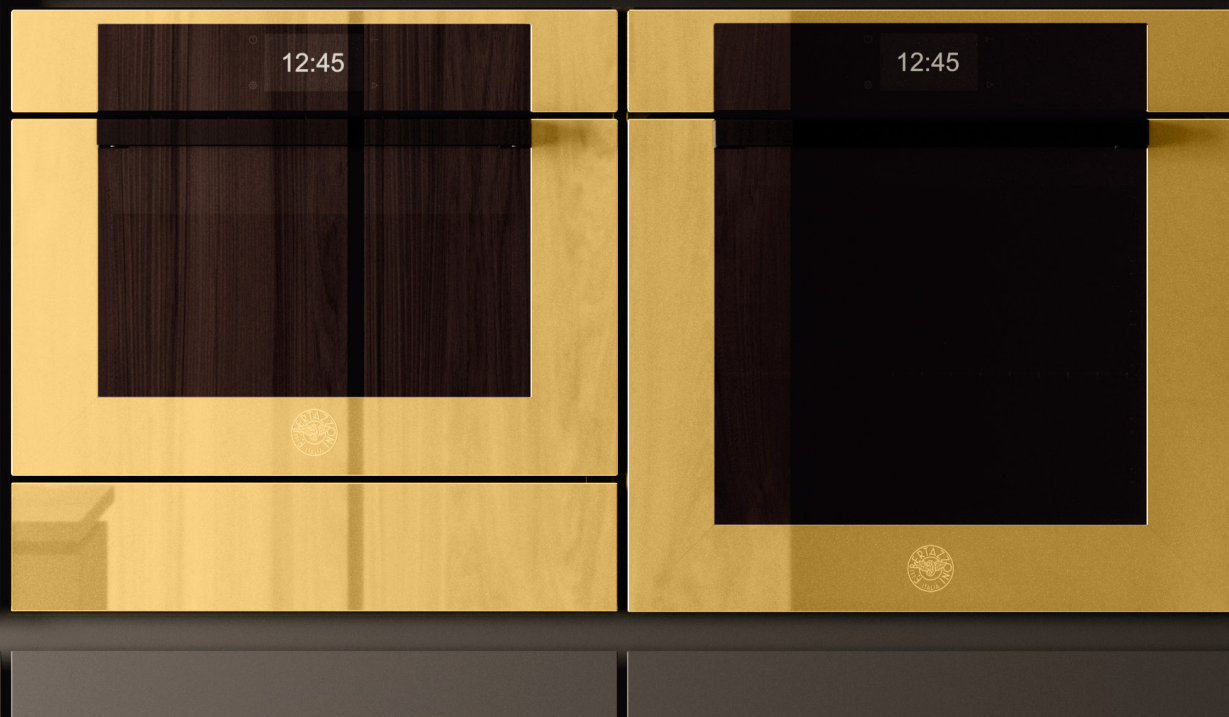


GAS COOKTOPS

PROFESSIONAL SERIES

MODEL	DESCRIPTION	RRP
P604LPROX 	600mm 4 burner gas cooktop including high output burner (14.4mj) Flame failure auto safety shut Automatic ignition Cast iron pan supports	\$1,299
	600mm (w) x 520mm (d)  Stainless Steel (SS) 5 year warranty	
P604LPRONE 	600mm 4 burner gas cooktop including lateral high output burner (14.4mj) Flame failure auto safety shut Automatic ignition Cast iron pan supports	\$1,299
	600mm (w) x 520mm (d)  Black (N) 5 year warranty	
P755CPROX 	750mm 5 burner gas cooktop including central high output burner (14.4mj) Flame failure auto safety shut Automatic ignition Cast iron pan supports	\$1,549
	750mm (w) x 520mm (d)  Stainless Steel (SS) 5 year warranty	
P755CPRONE 	750mm 5 burner gas cooktop including central high output burner (14.4mj) Flame failure auto safety shut Automatic ignition Cast iron pan supports	\$1,549
	750mm (w) x 520mm (d)  Black (N) 5 year warranty	
P905LPROX 	900mm 5 burner gas cooktop including lateral high output burner (18mj) Flame failure auto safety shut Automatic ignition Cast iron pan supports	\$1,649
	900mm (w) x 520mm (d)  Stainless Steel (SS) 5 year warranty	
P905LPRONE 	900mm 5 burner gas cooktop including lateral high output burner (18mj) Flame failure auto safety shut Automatic ignition Cast iron pan supports	\$1,649
	900mm (w) x 520mm (d)  Black (N) 5 year warranty	
PM365S0X 	900mm segmented gas cooktop 5 burners including lateral dual control brass high output burner (18mj) Ultra-low profile: 4mm flush fit hob Cast iron pan supports Flame failure auto safety shut	\$1,999
	900mm (w) x 520mm (d)  Stainless Steel (SS) 5 year warranty	
P905LPROGNE 	900mm 5 burner gas cooktop including lateral high output burner (18mj) Tempered glass cooktop with matt black mono-block burners Flame failure auto safety shut Automatic ignition	\$2,199
	900mm (w) x 520mm (d)  Black (N) 5 year warranty	

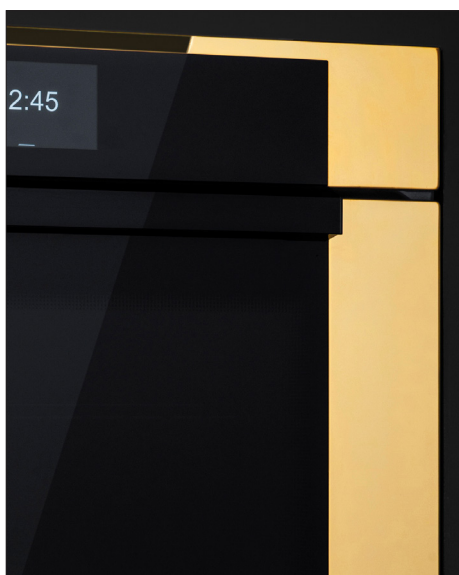
MODERN SERIES - 'SPECCHIO' MIRROR FINISH



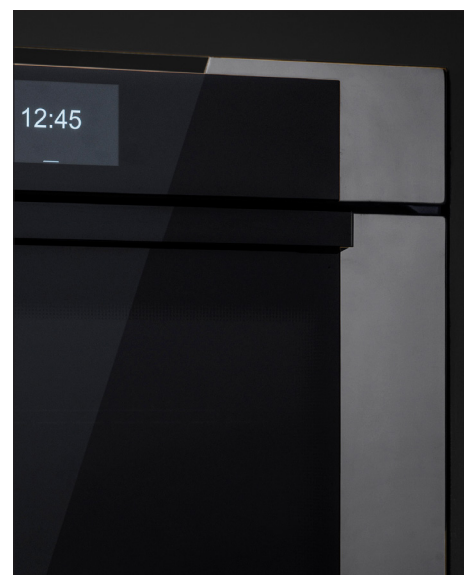
Specchio
QR Code



M Specchio (Mirror) Bronze



G Specchio (Mirror) Gold



S Specchio (Mirror) Obsidian

Bertazzoni enriches its aesthetic offering with a new precious 'Specchio' Mirror finish joining the Modern Series collection.

Available in Bronze, Gold and Obsidian, the design creates a refined decorative element that elegantly frames the dark glass on our ovens, generating a sophisticated interplay of reflections.

This luxury mirror finish results from an advanced technological process in which a thin metallic film is generated through the vaporization of solid material in a vacuum chamber combining advanced nanotechnologies and a super-mirror steel - thus creating a striking reflective effect.

'Specchio' - Bertazzoni's commitment to continuous research into innovative techniques, inspired by Italian manufacturing excellence and developed in collaboration with MM Design and designer Alex Terzariol.

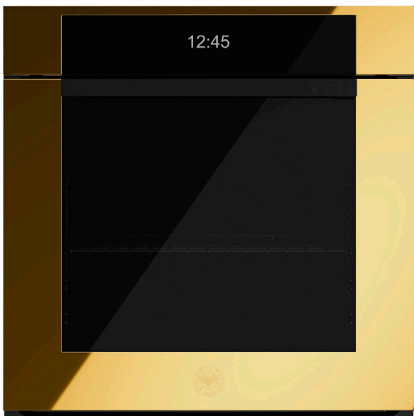
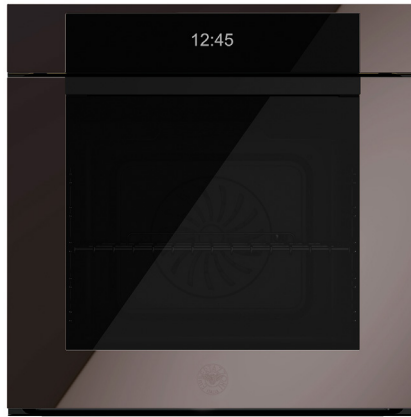
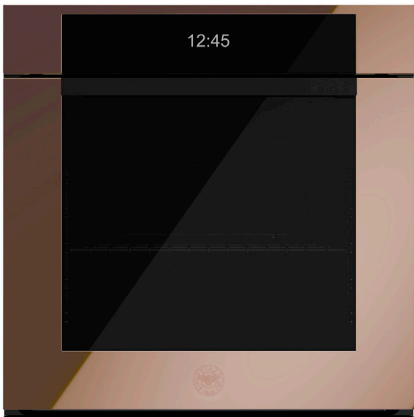
MODERN SERIES

BUILT-IN OVENS

Modern Series
QR Code



Available Q1 2026



M FMOD6117CTM3 **G** FMOD6117CTG3 **S** FMOD6117CTS3

PYRO COMBI-STEAM

- 600mm built-in pyrolytic combi-steam oven
- 11 function 80 litre oven
- Air-Fry function (basket accessory included)
- Pyrolytic self-cleaning and hydro-cleaning (steam function)
- "Touch" TFT interface with Bertazzoni Assistant
- Heavy duty oven racks
- Telescopic sliding rails
- Multi sensor food probe
- Soft close quad layer glass door
- 2800 W (12 amp) connection
- 5 year warranty (from date of installation)

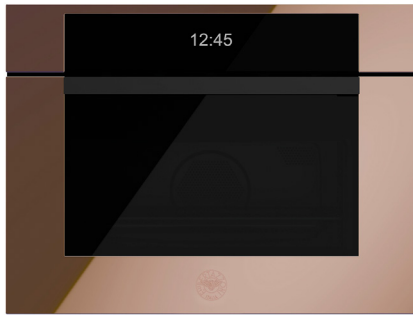


RRP \$5,999

MODERN SERIES

COMBI-MICROWAVE

WARMING DRAWER



M FMOD4077MTM3 **G** FMOD4077MTG3 **S** FMOD4077MTS3

M WD60M **G** WD60G **S** WD60S **B** WD60B

450mm built-in combi-microwave oven
 7 function 32 litre combi microwave
 Microwave: 5 power levels including boost function
 "Touch" TFT interface
 Bertazzoni Assistant
 3400 W (15 amp) connection
 5 year warranty (from date of installation)

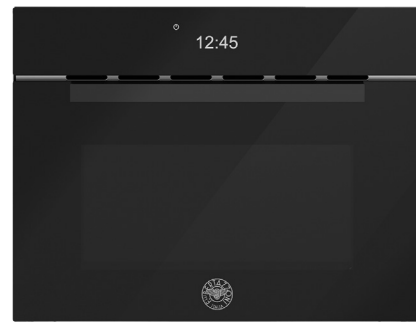


600mm gourmet warming drawer
 Function slow-cooking
 30-85°C temperature range
 Thermostat light: on/off
 Push/pull with soft motion operation
 Cavity capacity: 25kg
 400 W connection
 5 year warranty (from date of installation)



RRP \$4,999

RRP \$1,699 | WD60B: RRP \$1,499 (BLACK GLASS)



N FMOD6117PTB3 (BLACK GLASS)

N FMOD4077MTB3 (BLACK GLASS)

600mm built-in pyrolytic electric oven
 11 function 80 litre oven
 Air-Fry function (basket accessory included)
 Pyrolytic self-cleaning
 "Touch" TFT interface with Bertazzoni Assistant
 Heavy duty oven racks
 Telescopic sliding rails
 Multi sensor food probe
 Soft close quad layer glass door
 2800 W (12 amp) connection
 5 year warranty (from date of installation)



450mm built-in combi-microwave oven
 7 function 32 litre combi microwave
 Microwave: 5 power levels including boost function
 "Touch" TFT interface
 3400 W (15 amp) connection
 5 year warranty (from date of installation)






RRP \$3,299

RRP \$3,799



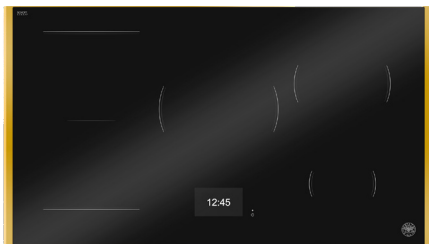
INDUCTION COOKTOPS

MODERN SERIES

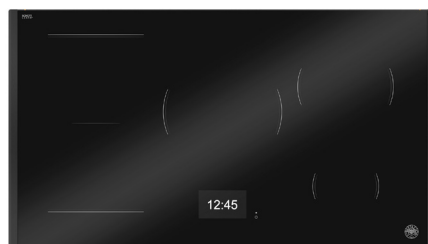
MODEL	DESCRIPTION	RRP
P604I2M28NV	600mm Schott glass induction cooktop 4 zone induction including 2 multi-zones 9 power levels - booster on all zones 3 auto cooking functions - Automatic pot detection Power limitation adjustment: 1.5, 2.8, 3.7, 4.5, 6.0, 6.5kW Multi control slider to control all cooking zones 32 amp	\$1,399
	600mm (w) x 520mm (d) ■ Black (N)	
P905I2M30NV	900mm Schott glass induction cooktop 5 zone induction including 2 multi-zones 9 power levels - booster on all zones 3 auto cooking functions - Automatic pot detection Multi control slider to control all cooking zones Power limitation adjustment: 1.5, 2.8, 3.7, 4.5, 6.0, 6.5, 7.2, 9.0kW 38 amp	\$2,999
	900mm (w) x 520mm (d) ■ Black (N)	
P905I1M37NT	900mm Schott glass induction cooktop 5 zone induction including 1 multi-zone 9 power levels, plus double booster Touch TFT display Bertazzoni Assistant with 5 automatic programs Automatic pot detection - Pot moving Power limitation adjustment: 2.4, 3.7, 4.2, 5.5, 6.0, 6.7kW 47 amp	\$4,999
	900mm (w) x 520mm (d) ■ Black (N)	

Bertazzoni unveils the new generation of induction cooktops, now also available with Metal Frames, enriching the brand's offering and further strengthening Bertazzoni's identity as a brand that consistently stands out for quality, innovation, and attention to detail.

The new generation cooktops featuring the exclusive Metal Frames compliment our 900mm range - with three trim options; Oro (Gold), Carbonio, and Acciaio (Stainless Steel). These options allow you to choose the solution that best matches your personal style and kitchen decor, ensuring seamless aesthetic continuity with other Bertazzoni appliances.



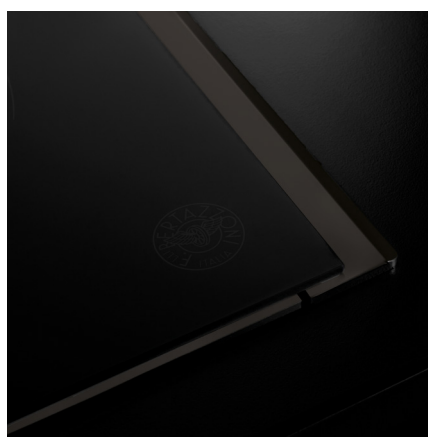
P905I1M37GT
RRP \$5,999



P905I1M37CT
RRP \$5,999



P905I1M37XT
RRP \$5,999



VENTILATION

DESIGN SERIES



KG90CONX	KG120CONX
900mm wall mount hood Touch controls 3 speed 1000m ³ h extraction power 3 x aluminum filters Twin LED lights Stainless steel and black glass finish 5 year warranty (from date of installation)	1200mm wall mount hood Touch controls 3 speed 880m ³ h extraction power 4 x aluminum filters Twin LED lights Stainless steel and black glass finish 5 year warranty (from date of installation)
900mm (w) x 470mm (d)	1200mm (w) x 470mm (d)
RRP \$1,999	RRP \$2,499

UNDER-CUPBOARD RANGEHOOD

SINGLE MOTOR MODELS

TWIN MOTOR MODELS

TWIN MOTOR INDUCTION MODELS



■ BZIRH560-275-1 ■ BZIRH860-275-1	■ BZIRH860-275-2 ■ BZIRH1130-275-2	■ BZIRH860-380-2 ■ BZIRH1130-380-2
560mm / 860mm x 275mm built-in hood 2 speed fan motor 750m ³ h extraction power Twin LED lights 150mm flue outlet Matt black base Cutout: 540/840mm x 240mm 5 year warranty (from date of installation)	860mm / 1130mm x 275mm built-in hood 2 speed fan motor 1500m ³ h extraction power Twin LED lights 2 x 150mm flue outlet Matt black base Cutout: 840/1110mm x 240mm 5 year warranty (from date of installation)	860mm / 1130mm x 380mm built-in hood 2 speed fan motor 1500m ³ h extraction power Twin LED lights 2 x 150mm flue outlet Matt black base Cutout: 846/1116mm x 345mm 5 year warranty (from date of installation)
RRP \$1,699 (BZIRH560-275-1) RRP \$1,999 (BZIRH860-275-1)	RRP \$2,499 (BZIRH860-275-2) RRP \$3,499 (BZIRH1130-275-2)	RRP \$3,299 (BZIRH860-380-2) RRP \$3,999 (BZIRH1130-380-2)

ACCESSORIES



PEN06	901309 (Heritage & Professional Series) 901401 (XE Series)	GR11ISI
Cast griddle plate with non-stick surface for all gas cooktops.	Stainless steel griddle plate for all range cookers, range tops and cooktops with gas burners.	This premium cast-iron griddle plate with non-stick surface has been specifically designed for induction cooking. With a fully enamelled base and special feet to protect your glass cooktop, it's the perfect accessory.
RRP \$199	RRP \$699	RRP \$599



Air-Tec 900mm H91 recirculating charcoal filter kit and toekick. Available in Stainless Steel and Carbonio finish.	Toekick for cookers.	Sliding rails.
901614 (X) Stainless Steel RRP \$1,999 901615 (CA) Carbonio RRP \$2,299 901613 Charcoal filter replacement RRP \$699	901355 - 900mm Carbonio Toekick for Professional Series cookers. RRP \$449. 901441 - 900mm Stainless Steel Toekick for Professional XE Series cookers. RRP \$399. 901481 - 900mm Stainless Steel Toekick for Professional and Heritage T Series cookers. RRP \$399. 901482 - 1000mm Stainless Steel for Professional and Heritage T Series cookers. RRP \$399. 901483 - 1200mm Stainless Steel for Professional and Heritage T Series. RRP \$399.	901471: Sliding rails to suit Professional XE Series and Master Series cookers. RRP \$199. 910861: Sliding rails to suit Heritage and Professional T Series cookers. RRP \$199 941036: Sliding rails to suit built-in ovens. RRP \$199.













901272
Porcelain tray to suit the Heritage and Professional Series range cookers 760mm and up.
RRP \$499



TECHNICAL SPECIFICATIONS

Key to icons used in these specifications

 bake	 light
 convection bake	 timer
 fast preheat	 sterilize function
 grill	 microwave function
 turbo grill	 combi-microwave
 convection (electric ovens)	 combi-steamer
 fan (gas ovens)	 microwave and grill function
 turbo/pizza function	 special functions
 bottom bake	 defrosting
 assistant	 turnspit and grill
 total steam	 warming
 clean	 proofing

Disclaimer

Please check with your dealer before making a final purchase decision based on these specifications. While every care is taken to insure that the information in these pages is correct it may be subject to technical inaccuracies or typographical errors.

FREESTANDING DUAL FUEL COOKERS

1200MM COOKER GAS BURNERS MULTI-FUNCTION DOUBLE OVEN

Worktop	
Cooking zones	6 gas + 1 griddle
Worktop design	stainless steel squared
Worktop control	knobs
Burners type	brass
Knobs	metal coated
Pan support	cast iron
Flame failure - one hand ignition	•
Standard accessories	wok adapter, simmer ring, teppan-yaki griddle
Cooking zones	
Front right	1 auxiliary 1,73 mj - 3,6 mj
Back right	1 rapid 3,8 mj - 10,8 mj
Centre	2 semi-rapid 2,16 mj - 6,3 mj
Front left	1 dual wok 1,73 mj - 18 mj
Back left	1 semi-rapid 2,16 mj - 6,3 mj
Griddle	1100 W, drip tray
Oven cavity	
Main oven type	electric multifunction with electric grill
Main oven functions	
Main oven equipment	1 telescopic glide shelf, 2 wire shelves, 1 baking tray, 1 grill mesh, tray handle, 1 light
Auxiliary oven type	electric multifunction with electric grill
Auxiliary oven functions	
Auxiliary oven equipment	1 wire shelf, 1 baking tray, 1 grill mesh, 1 light
Third oven	-
Oven volume	main 71 L, auxiliary 71 L
Oven controls	Professional Heritage knobs and digital programmer with food probe knobs and analogue thermometer
Inner oven door	triple removable glass
Oven door closing	anti-slam system
Bottom	drawer, stainless steel legs
Technical specifications	
Electrical requirements	6000 W
Energy rating	main oven A, auxiliary oven A

PROFESSIONAL SERIES



PRO126G2GIT
1200mm 6-burner + griddle, electric double oven



* Orange, Yellow & Red are special orders. Deposits are non-refundable. Available approximately three (3) months from date of order.

HERITAGE SERIES

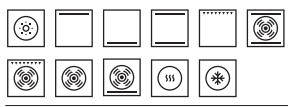


HER126G2EXT
1200mm 6 burner + griddle, electric double oven



FREESTANDING DUAL FUEL COOKERS

900MM COOKER GAS BURNERS ELECTRIC OVEN

Worktop	
Cooking zones	6 gas
Worktop design	stainless steel squared
Worktop control	knobs
Burners type	brass
Knobs	metal coated
Pan support	cast iron
Flame failure- one hand ignition	•
Standard accessories	wok adapter, simmer ring
Cooking zones	
Front right	1 auxiliary 1,73 mj - 3,6 mj
Back right	1 rapid 3,8 mj - 10,8 mj
Centre	2 semi-rapid 2,16 mj - 6,3 mj
Front left	1 dual wok 1,73 mj - 18 mj
Back left	1 semi-rapid 2,16 mj - 6,3 mj
Griddle	-
Oven cavity	
Main oven type	electric with electric grill
Main oven functions	
Main oven equipment	1 telescopic glide shelf, 2 wire shelves, 1 baking tray, 1 grill mesh, tray handle, 1 light
Auxiliary oven type	-
Auxiliary oven functions	-
Auxiliary oven equipment	-
Third oven	-
Oven volume	105 L
Oven controls	Professional Heritage knobs and digital programmer with food probe knobs and analogue thermometer
Inner oven door	triple removable glass
Oven door closing	anti-slam system
Bottom	drawer, stainless steel legs
Technical specifications	
Electrical requirements	3500 W
Energy rating	A

PROFESSIONAL SERIES



PRO96L1EBIT
900mm 6-burner electric oven



* Orange, Yellow & Red are special orders. Deposits are non-refundable.
Available approximately three (3) months from date of order.

HERITAGE SERIES

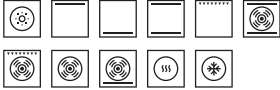


HER96L1ENET
900mm 6-burner electric oven



FREESTANDING DUAL FUEL COOKERS

900MM COOKER GAS BURNER ELECTRIC OVEN

Worktop	
Cooking zones	6 gas
Worktop design	stainless steel squared
Worktop control	knobs
Burners type	-
Knobs	metal coated
Pan support	cast iron
Flame failure- one hand ignition	•
Standard accessories	wok adapter, simmer ring
Cooking zones	
Front right	1 auxiliary 1,73 mj - 3,6 mj
Back right	1 rapid 3,8 mj - 10,8 mj
Centre	2 semi-rapid 2,16 mj - 6,3 mj
Front left	1 dual wok 1,73 mj - 18 mj
Back left	1 semi-rapid 2,16 mj - 6,3 mj
Griddle	-
Oven cavity	
Main oven type	electric with electric grill - 2 fans
Main oven functions	
Main oven equipment	1 telescopic glide shelf, 2 wire shelves, 2 deep trays, 1 grill mesh, tray handle, 2 lights
Auxiliary oven type	-
Auxiliary oven functions	-
Auxiliary oven equipment	-
Third oven	-
Oven volume	147 L
Oven controls	digital programmer
Inner oven door	triple removable glass
Oven door closing	-
Bottom	
	stainless steel legs, storage compartment
Technical specifications	
Electrical requirements	3500 W
Energy rating	A

PROFESSIONAL SERIES



PR0906MFESXE
900mm 6-burner electric oven

X

MASTER SERIES

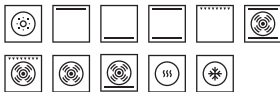
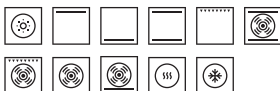


MPL96L1ETNC
900mm 6-burner electric oven

NE

FREESTANDING INDUCTION COOKERS

1200MM COOKER INDUCTION COOKTOP DOUBLE OVEN

Worktop	
Cooking zones	5 zone induction
Worktop design	stainless steel squared
Worktop control	knobs
Burners type	-
Knobs	metal coated
Pan support	-
Flame failure- one hand ignition	-
Standard accessories	Teppan-yaki griddle
Cooking zones	
Front right	(210 x 200 mm) 1600 W - 1850 W
Back right	(210 x 200 mm) 2100 W - 3000 W
Centre	(Ø 265 mm) 2300 W - 3000 W
Front left	(210 x 200 mm) 1600 W - 1850 W
Back left	(210 x 200 mm) 2100 W - 3000 W
Griddle	1100 W, drip tray
Oven cavity	
Main oven type	electric multifunction with electric grill
Main oven functions	
Main oven equipment	1 telescopic glide shelf, 2 wire shelves, 1 baking tray, 1 grill mesh, tray handle, 1 light
Auxiliary oven type	electric multifunction with electric grill
Auxiliary oven functions	
Auxiliary oven equipment	1 wire shelf, 1 baking tray, 1 grill mesh, 1 light
Third oven	-
Oven volume	main 71 L, auxiliary 71 L
Oven controls	Professional Heritage knobs and digital programmer with food probe knobs and analogue thermometer
Inner oven door	triple removable glass
Oven door closing	anti-slam system
Bottom	
Technical specifications	
Electrical requirements	13400 W
Energy rating	main oven A, auxiliary oven A

PROFESSIONAL SERIES



PRO125I2ENET
1200mm 5 zone induction, electric double oven



* Orange, Yellow & Red are special orders. Deposits are non-refundable.
Available approximately three (3) months from date of order.

HERITAGE SERIES





HER125I2EAVT
1200mm 5 zone induction, electric double oven



FREESTANDING INDUCTION COOKERS

1100MM & 1000MM COOKER INDUCTION COOKTOP TRIPLE OVEN

Worktop	
Cooking zones	5 zone induction
Worktop design	stainless steel squared
Worktop control	knobs
Burners type	-
Knobs	solid metal
Pan support	-
Flame failure- one hand ignition	-
Standard accessories	-
Cooking zones	
Front right	(210 x 200 mm) 2100 W - 3000 W
Back right	(210 x 200 mm) 2100 W - 3000 W
Centre	(Ø 265 mm) 2300 W - 3000 W
Front left	(210 x 200 mm) 1600 W - 1850 W
Back left	(210 x 200 mm) 2100 W - 3000 W
Griddle	-
Oven cavity	
Main oven type	electric with electric grill
Main oven functions	
Main oven equipment	1 telescopic glide shelf, 2 wire shelves, 1 baking tray, 1 grill mesh, tray handle, 1 light
Auxiliary oven type	electric conventional with electric grill
Auxiliary oven functions	
Auxiliary oven equipment	1 telescopic glide shelf, 1 wire shelf, 1 baking tray, 1 grill mesh, 1 tray handle, 1 light
Third oven	grill function
Third oven equipment	1 telescopic glide shelf, 1 baking tray, 1 grill mesh
Oven volume	main 71 L, auxiliary 55 L and 25 L
Oven controls	Professional Heritage knobs and digital programmer knobs and analogue thermometer
Inner oven door	triple removable glass
Oven door closing	anti-slam system
Bottom	drawer, stainless steel panel
Technical specifications	
Electrical requirements	11500 W / 14100 W / 14100 W
Energy rating	main oven A, auxiliary oven A

PROFESSIONAL SERIES



PRO115I3EART
1100mm 5 zone induction electric triple oven with side panels



PRO105I3EGIT
1100mm 5 zone induction electric triple oven



HERITAGE SERIES





HER105I3ENET
1100mm 5 zone induction electric triple oven



* Orange, Yellow & Red are special orders. Deposits are non-refundable.
Available approximately three (3) months from date of order.

FREESTANDING INDUCTION COOKERS

1000MM COOKER INDUCTION COOKTOP DOUBLE OVEN

Worktop	
Cooking zones	5 induction
Worktop design	stainless steel squared
Worktop control	knobs
Burners type	-
Knobs	solid metal
Pan support	-
Flame failure- one hand ignition	-
Standard accessories	-
Cooking zones	
Front right	(210 x 200 mm) 2100 W - 3000 W
Back right	(210 x 200 mm) 2100 W - 3000 W
Centre	(Ø 265 mm) 2300 W - 3000 W
Front left	(210 x 200 mm) 1600 W - 1850 W
Back left	(210 x 200 mm) 2100 W - 3000 W
Griddle	-
Oven cavity	
Main oven type	electric with electric grill
Main oven functions	
Main oven equipment	1 telescopic glide shelf, 2 wire shelves, 1 baking tray, 1 grill mesh, tray handle, 1 light
Auxiliary oven type	electric conventional with electric grill
Auxiliary oven functions	
Auxiliary oven equipment	1 telescopic glide shelf, 1 wire shelf, 1 baking tray, 1 grill mesh
Third oven	-
Oven volume	main 71 L, auxiliary 55 L
Oven controls	Professional Heritage knobs and digital programmer knobs and analogue thermometer
Inner oven door	triple removable glass
Oven door closing	anti-slam system
Bottom	
	drawer, stainless steel legs
Technical specifications	
Electrical requirements	11700 W
Energy rating	main oven A, auxiliary oven A

PROFESSIONAL SERIES



PRO105I2EROT
1000mm 5 zone induction electric double oven

X NE BI GI AR RO CA

* Orange, Yellow & Red are special orders. Deposits are non-refundable. Available approximately three (3) months from date of order.

HERITAGE SERIES



HER105I2EAVT
1000mm 5 zone induction electric double oven

NE AV

FREESTANDING INDUCTION COOKERS

900MM COOKER INDUCTION COOKTOP DOUBLE OVEN

Worktop	
Cooking zones	5 induction
Worktop design	stainless steel squared
Worktop control	knobs
Burners type	-
Knobs	solid metal
Pan support	-
Flame failure- one hand ignition	-
Standard accessories	-
Cooking zones	
Front right	(210 x 200 mm) 1600 W - 1850 W
Back right	(210 x 200 mm) 2100 W - 3000 W
Centre	Ø 265 mm) 2300 W - 3000 W
Front left	(210 x 200 mm) 1600 W - 1850 W
Back left	(210 x 200 mm) 2100 W - 3000 W
Griddle	-
Oven cavity	
Main oven type	electric multifunction with electric grill
Main oven functions	
Main oven equipment	1 telescopic glide shelf, 2 wire shelves, 1 baking tray, 1 grill mesh, tray handle, 1 light
Auxiliary oven type	electric conventional with electric grill
Auxiliary oven functions	
Auxiliary oven equipment	1 telescopic glide shelf, 1 wire shelf, 1 baking tray, 1 grill mesh
Third oven	-
Oven volume	main 71 L, auxiliary 40 L
Oven controls	Professional Heritage knobs and digital programmer knobs and analogue thermometer
Inner oven door	triple removable glass
Oven door closing	anti-slam system
Bottom	drawer, stainless steel legs
Technical specifications	
Electrical requirements	11500 W
Energy rating	main oven A, auxiliary oven A

PROFESSIONAL SERIES



PRO95I2ECAT
900mm 5 zone induction electric oven



* Orange, Yellow & Red are special orders. Deposits are non-refundable.
Available approximately three (3) months from date of order.

HERITAGE SERIES



HER95I2EXT
900mm 5 zone induction electric oven



FREESTANDING INDUCTION COOKERS

900MM COOKER INDUCTION COOKTOP AIR-TEC



PROFESSIONAL SERIES



PROCH9411ENET
900mm 4 zone induction electric oven



* Orange, Yellow & Red are special orders. Deposits are non-refundable.
Available approximately three (3) months from date of order.



Worktop	
Cooking zones	4 zone induction
Worktop design	stainless steel squared
Worktop control	knobs
Burners type	-
Knobs	titanium
Pan support	-
Flame failure- one hand ignition	-
Standard accessories	-
Cooking zones	
Front right	(200 x 210 mm) 2100 W
Back right	(200 x 210 mm) 2100 W
Centre	-
Front left	(200 x 210 mm) 2100 W
Back left	(200 x 210 mm) 2100 W
Griddle	-
Oven cavity	
Main oven type	electric multifunction with electric grill with 2 fan
Main oven functions	
Main oven equipment	1 telescopic glide shelf, 2 wire shelves, 2 deep trays, 1 grill mesh, tray handle, 2 lights
Auxiliary oven type	-
Ventilation function	600m3/h 10-speed ventilation control automatic control sets extraction level to cooktop power selection 100% safe against water spillage
Auxiliary oven equipment	-
Third oven	-
Oven volume	105 L
Oven controls	knobs and digital programmer with food probe
Inner oven door	triple removable glass
Oven door closing	anti-slam system
Bottom	
Technical specifications	
Electrical requirements	11000 W
Energy rating	A



FREESTANDING INDUCTION COOKERS

900MM COOKER INDUCTION COOKTOP

Worktop	
Cooking zones	5 induction
Worktop design	stainless steel squared
Worktop control	knobs
Burners type	-
Knobs	metal coated
Pan support	-
Flame failure- one hand ignition	-
Standard accessories	-
Cooking zones	
Front right	(210 x 200 mm) 1600 W - 1850 W
Back right	(210 x 200 mm) 2100 W - 3000 W
Centre	(Ø 265 mm) 2300 W - 3000 W
Front left	(210 x 200 mm) 1600 W - 1850 W
Back left	(210 x 200 mm) 2100 W - 3000 W
Griddle	-
Oven cavity	
Main oven type	electric multifunction with electric grill
Main oven functions	
Main oven equipment	1 telescopic glide shelf, 2 wire shelves, 1 baking tray, 1 grill mesh, tray handle, 1 light
Auxiliary oven type	-
Auxiliary oven functions	-
Auxiliary oven equipment	-
Third oven	-
Oven volume	105 L
Oven controls	Professional Heritage knobs and digital programmer knobs and analogue thermometer
Inner oven door	triple removable glass
Oven door closing	anti-slam system
Bottom	drawer, stainless steel legs
Technical specifications	
Electrical requirements	10900 W
Energy rating	A

PROFESSIONAL SERIES



PRO9511EART
900mm 5 zone induction electric oven



* Orange, Yellow & Red are special orders. Deposits are non-refundable.
Available approximately three (3) months from date of order.

HERITAGE SERIES



HER9511ENET
900mm 5 zone induction electric oven



FREESTANDING INDUCTION COOKERS

900MM COOKER INDUCTION COOKTOP

Worktop	
Cooking zones	5 induction
Worktop design	stainless steel squared
Worktop control	knobs
Burners type	-
Knobs	metal coated
Pan support	-
Flame failure- one hand ignition	-
Standard accessories	-
Cooking zones	
Front right	(Ø 160 mm) 1100 W - 1400 W
Back right	(Ø 200 mm) 2300 W - 3000 W
Centre	(Ø 250 mm) 2300 W - 3000 W
Front left	(Ø 160 mm) 1100 W - 1400 W
Back left	(Ø 200 mm) 1400 W - 2000 W
Griddle	-
Oven cavity	
Main oven type	electric multifunction with electric grill with 2 fan
Main oven functions	
Main oven equipment	1 telescopic glide shelf, 2 wire shelves, 2 deep trays, 1 grill mesh, tray handle, 2 lights
Auxiliary oven type	-
Auxiliary oven functions	-
Auxiliary oven equipment	-
Third oven	-
Oven volume	147 L
Oven controls	digital programmer with food probe
Inner oven door	triple removable glass
Oven door closing	-
Bottom	stainless steel legs, storage compartment
Technical specifications	
Electrical requirements	10900 W
Energy rating	A

PROFESSIONAL SERIES



PRO905IMFESXE
900mm 5 zone induction electric oven

X

MASTERS SERIES



MPL9511ETNT
900mm 5 zone induction electric oven

NE

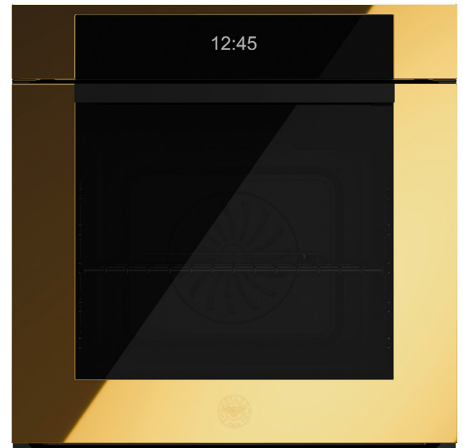
PYROLYTIC COMBI-STEAM OVENS

Features	
Size	600mm
Oven	electric
Oven volume	80 L
Oven control	Professional knobs and touch LCD display Modern full touch display/touch TFT display Heritage knobs/touch TFT display
Knobs	metal
Handle	Professional metal Modern glass Heritage metal
Cavity finishing	Pyro enamel light grey
Number of oven functions	11
Oven functions	
Special functions	eco, sabbath, proofing, defrost, keep warm, dehydrate
Cleaning	Hydro cleaning (manual) Pyrolytic cleaning (with eco function)
Steam assist	•
Total steam	•
Telescopic sliding rails	2
Trays	1 baking tray, 1 deep tray, 2 steam tray, 1 air-fry basket*
Food probe	multi point
Turnspit	-
Pizza stone	-
Oven lamps	2 lateral
Door hinges	soft opening + soft closing
Oven door glass	4
Technical specifications	
Energy rating	A++
Electrical requirements	3100 W



PROFESSIONAL SERIES
F6011PROVPTN/23
600mm electric pyro built-in oven,
TFT display, total steam

X N



MODERN SERIES
FMOD6117CTG3
600mm electric pyro built-in oven, air-fry function*
TFT display, total steam

M G S



HERITAGE SERIES
F6011HERVPTAG
600mm electric pyro built-in oven,
TFT display, total steam

NE AX AG

BUILT-IN OVENS

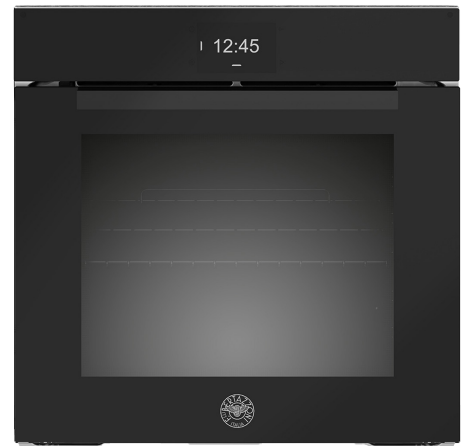
PYROLYTIC ELECTRIC OVENS

Features		
Size		600mm
Oven		electric
Oven volume		80 L
Oven control	Professional	knobs and touch LCD display
	Modern	full touch display/touch TFT display
	Heritage	knobs/analogue thermometer
Knobs		metal
Handle	Professional	metal
	Modern	glass
	Heritage	metal
Cavity finishing		Pyro enamel light grey
Number of oven functions	Professional	11
	Modern	11
	Heritage	9
Oven functions		
Special functions		eco, sabbath, proofing, defrost, keep warm, dehydrate
Cleaning		Hydro cleaning (manual) Pyrolytic cleaning (with eco function)
	Heritage F609HEREKTNE	Hydro cleaning (manual)
Steam assist		-
Total steam		-
Telescopic sliding rails		1
Trays		1 baking tray, 1 deep tray, 1 air-fry basket*
Food probe		single point
Turnspit		-
Pizza stone		-
Oven lamps		2 lateral
Door hinges		soft opening + soft closing
Oven door glass		4
Stainless steel finishing		anti-fingerprint
Technical specifications		
Energy rating		A++
Electrical requirements		3100 W
	F609HEREKTNE	2700 W



PROFESSIONAL SERIES
F6011PROPTX/23
600mm electric pyro built-in oven,
TFT display

X N



MODERN SERIES
FMOD6117PTB3*
600mm electric pyro built-in oven, air-fry* function
TFT display

BG

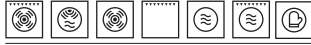


HERITAGE SERIES
F609HEREKTNE
600mm electric built-in oven,
Analogue/TFT display

NE AX AG



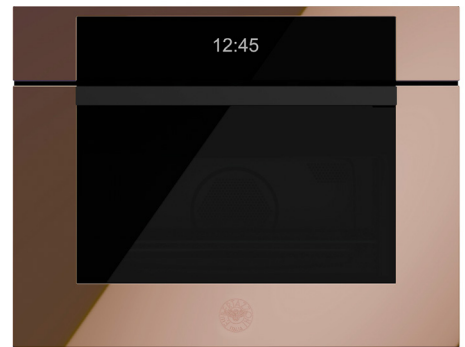
COMBI-MICROWAVE OVENS

Features	
Size	600 x 450mm
Oven	combi-microwave
Oven volume	32 L
Oven control	Professional Modern Heritage
Knobs	knobs and touch LCD display full touch display/touch TFT display knobs/touch TFT display
Handle	Professional Modern Heritage
Auto cooking modes	15
Number of oven functions	7
Oven functions	
Special functions	defrosting time, defrosting weight
Power control	electric
Cavity finishing	stainless steel
Oven door frame	O shape
Oven levels	2
Wire shelves	1
Trays	1 glass
Oven lamps	1
Door hinges	soft closing
Stainless steel finishing	anti-fingerprint
Technical specifications	
Energy rating	A
Electrical requirements	3400 W



PROFESSIONAL SERIES
F457PROMWTN
600 x 450mm combi-microwave oven

X N



MODERN SERIES
FMOD4077MTM3
600 x 450mm combi-microwave oven

M G S BG

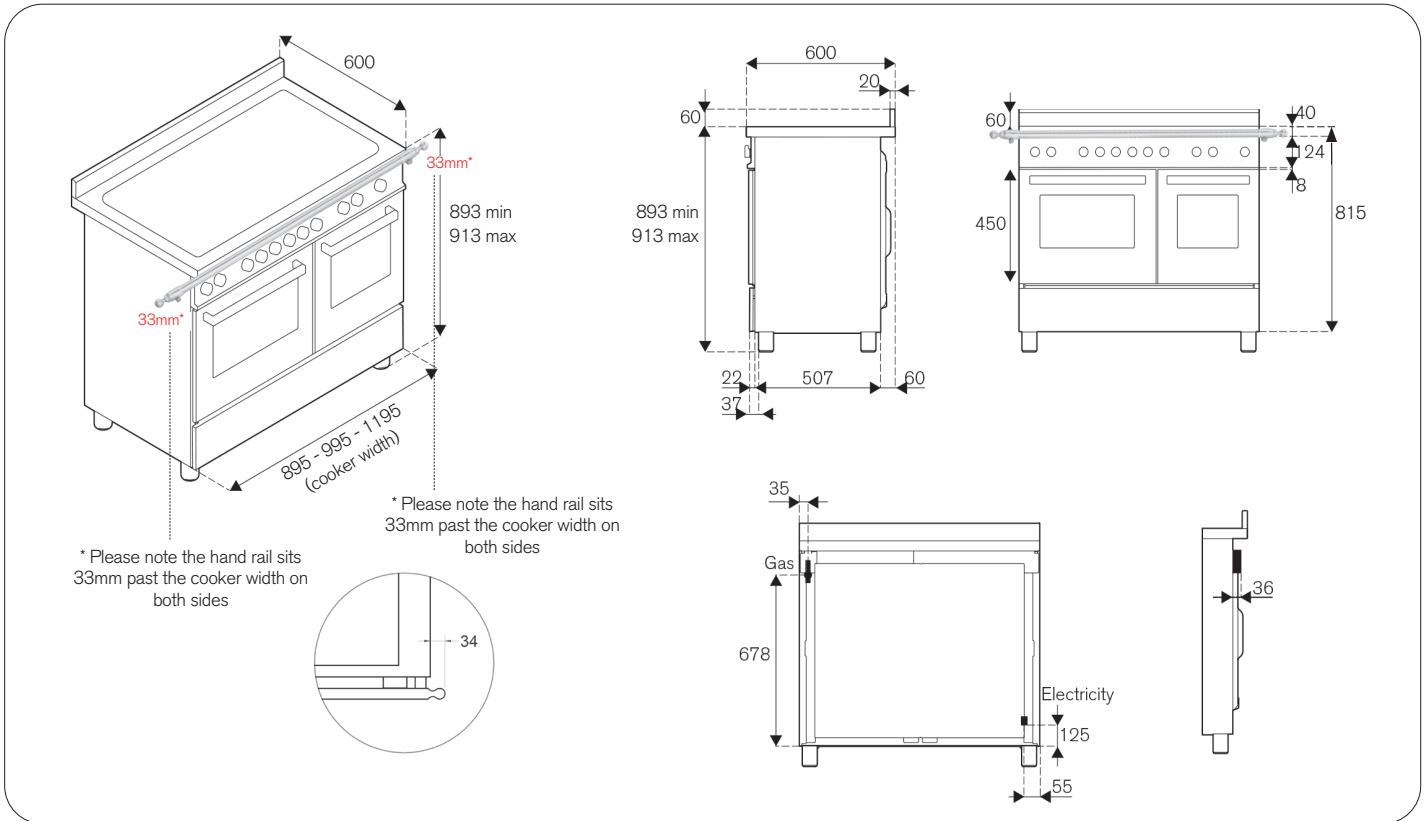


HERITAGE SERIES
F457HERMWTAX
600 x 450mm combi-microwave oven

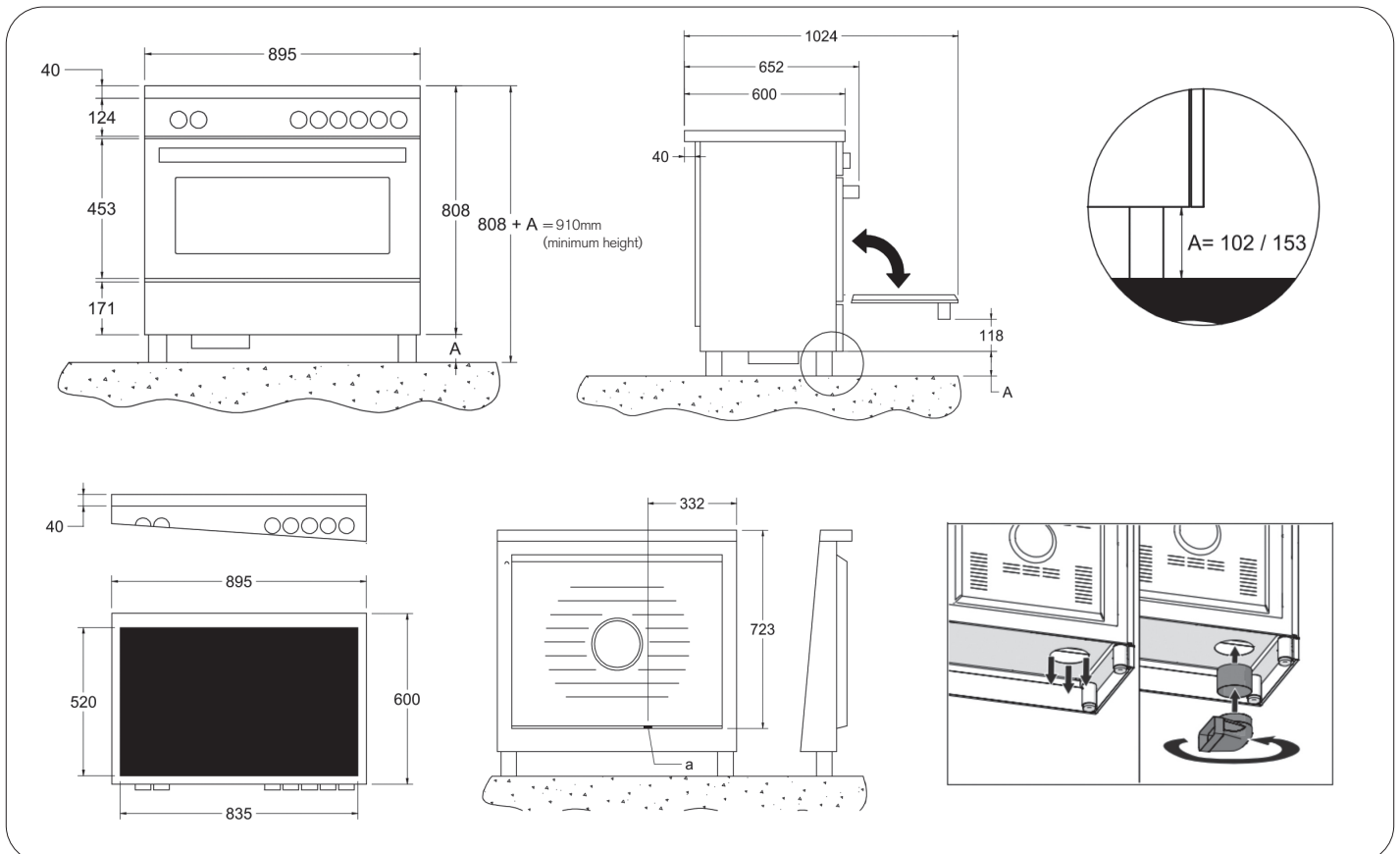
NE AX AG

INSTALLATION DRAWINGS - COOKERS

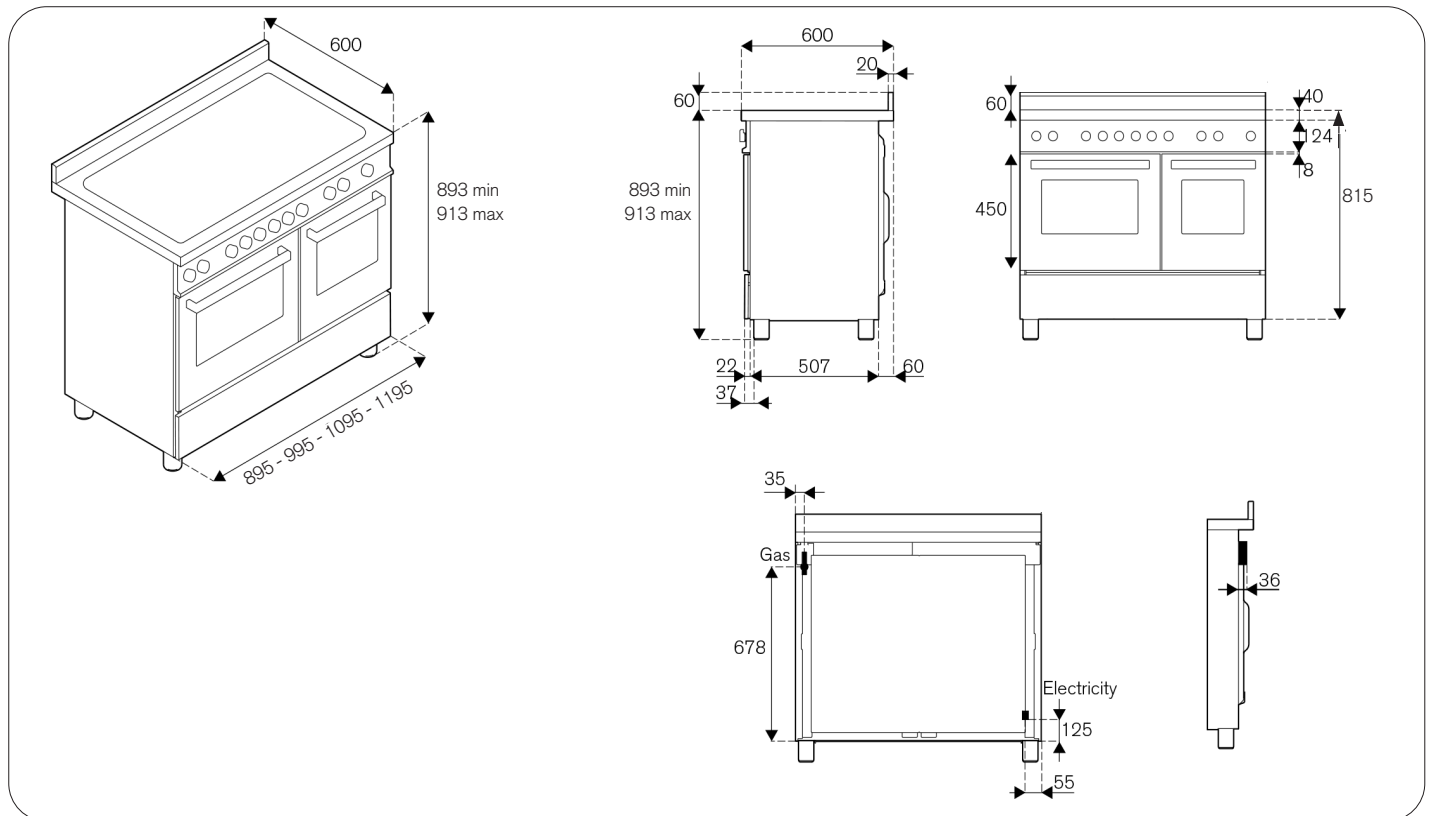
900mm, 1000mm & 1200mm Heritage Series (Single, Double and Triple Oven)



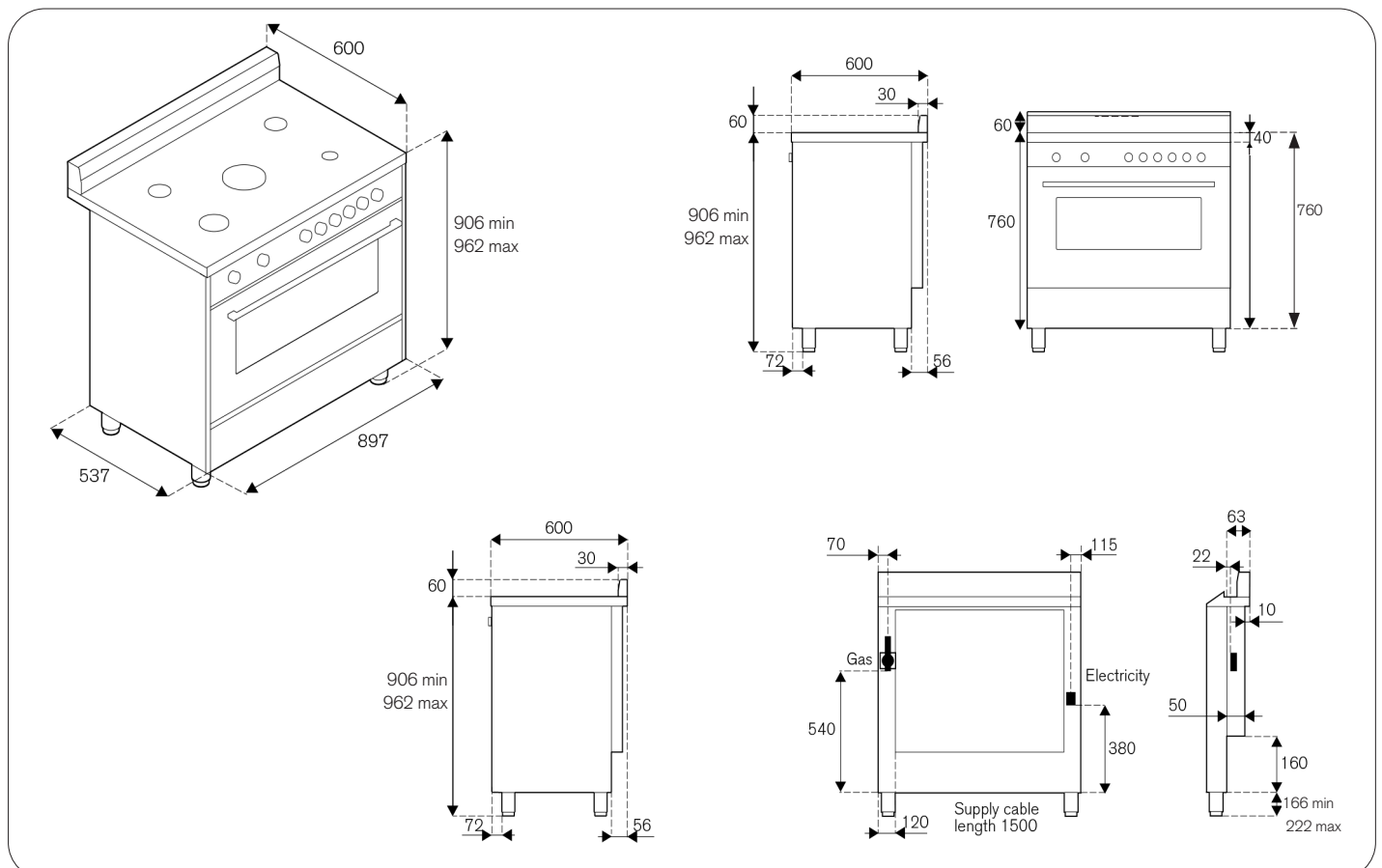
900mm Professional Series Air-Tec



900mm, 1000mm, 1100mm & 1200mm Professional Series (Single, Double and Triple Oven)

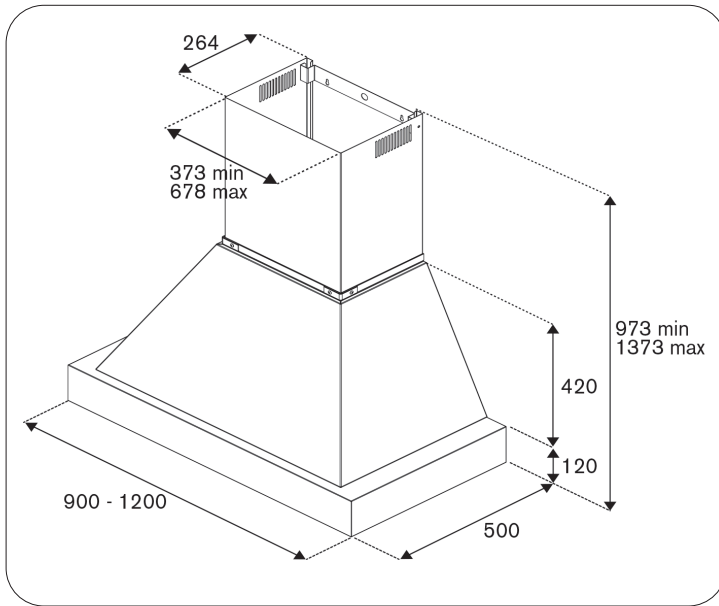


900mm Professional E Series and Master Series

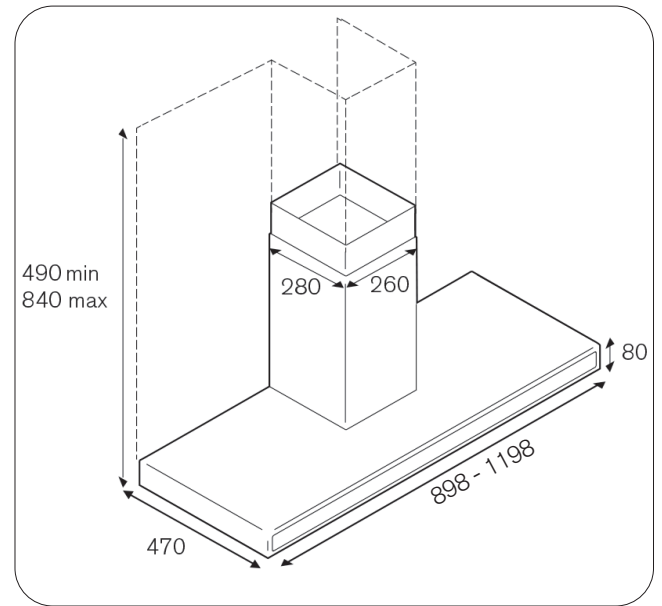


VENTILATION

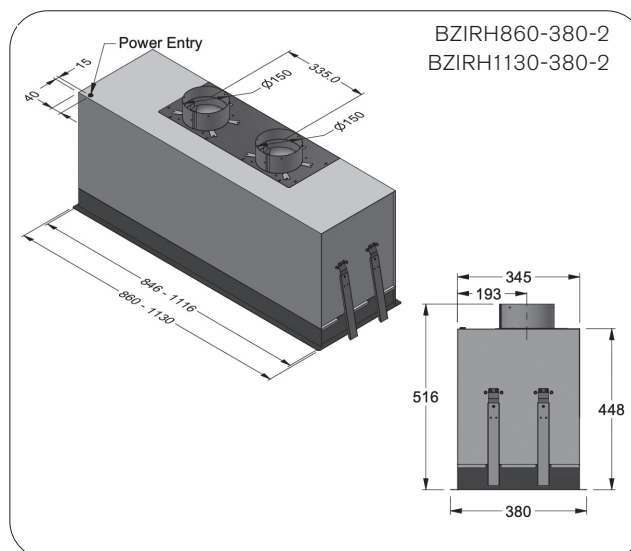
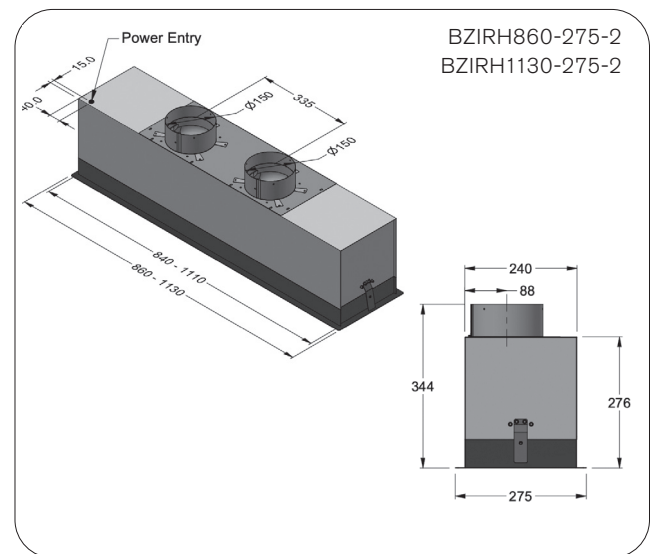
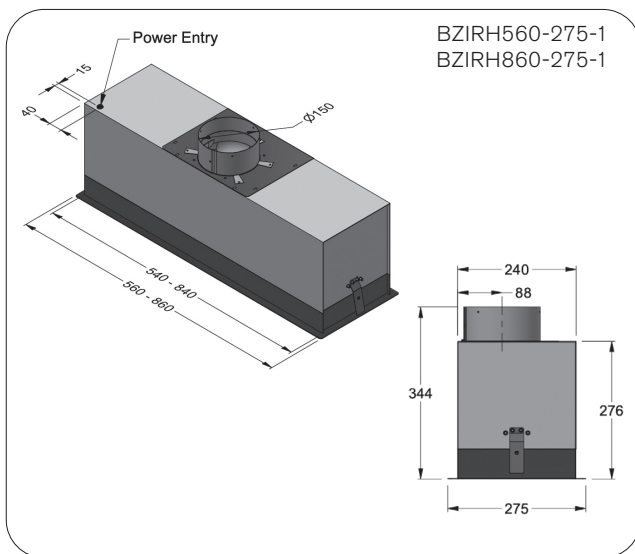
900mm, 1000mm & 1200mm Wall Mount Hood



900mm & 1200mm Wall Mount



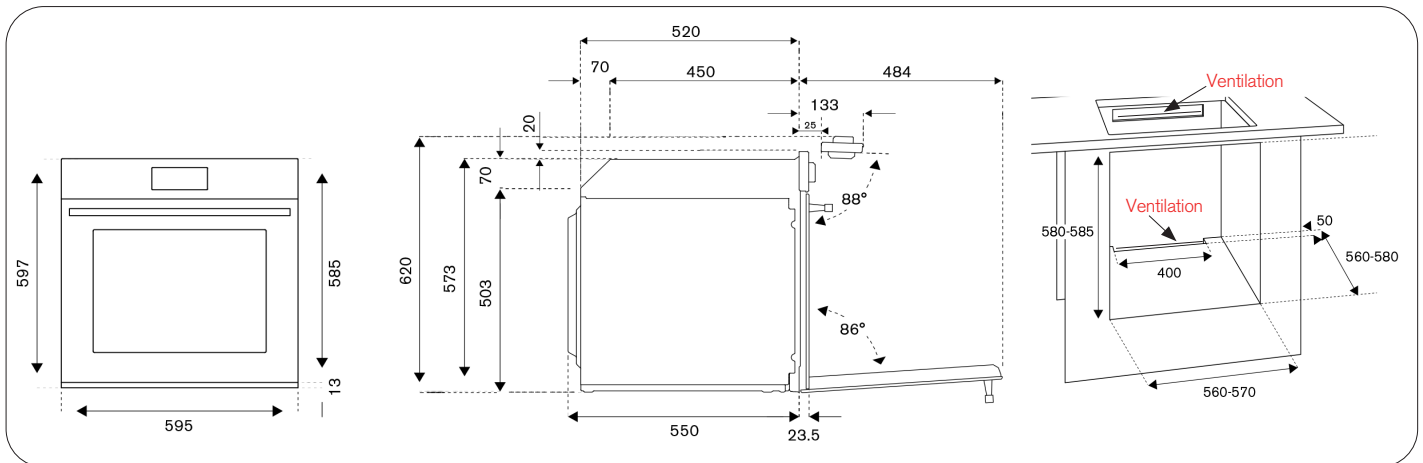
560mm, 860mm & 1130mm Under-Cupboard Ventilation



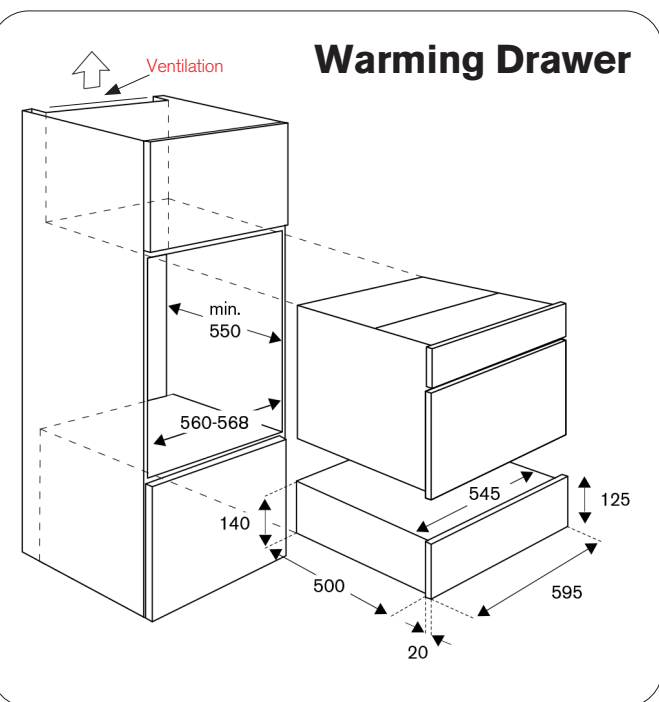
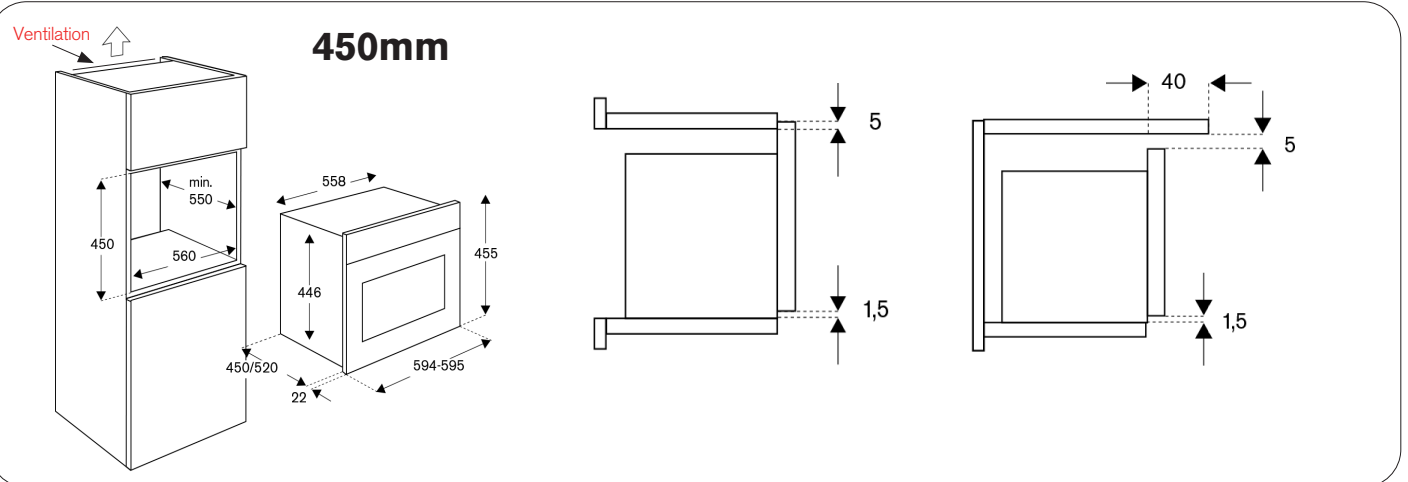
BUILT-IN OVENS

REFER TO USE & CARE MANUAL FOR FULL VENTILATION INSTRUCTIONS

600mm

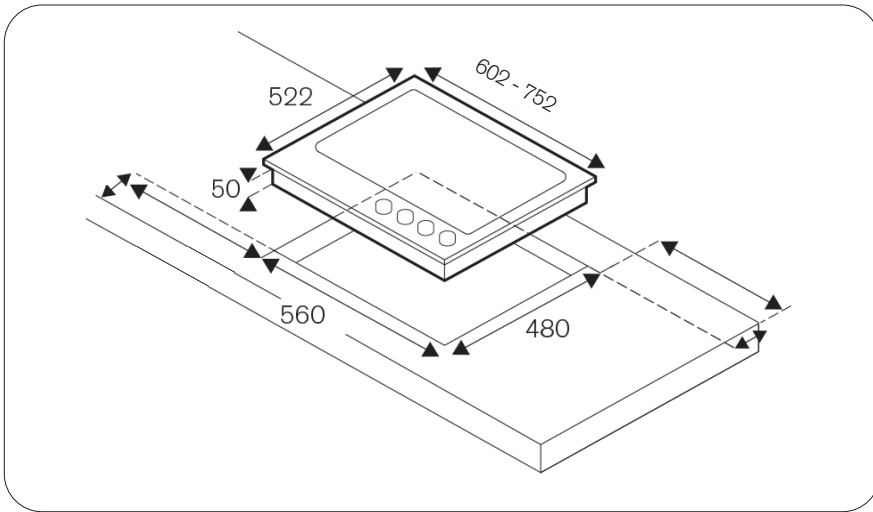


COMPACT OVENS

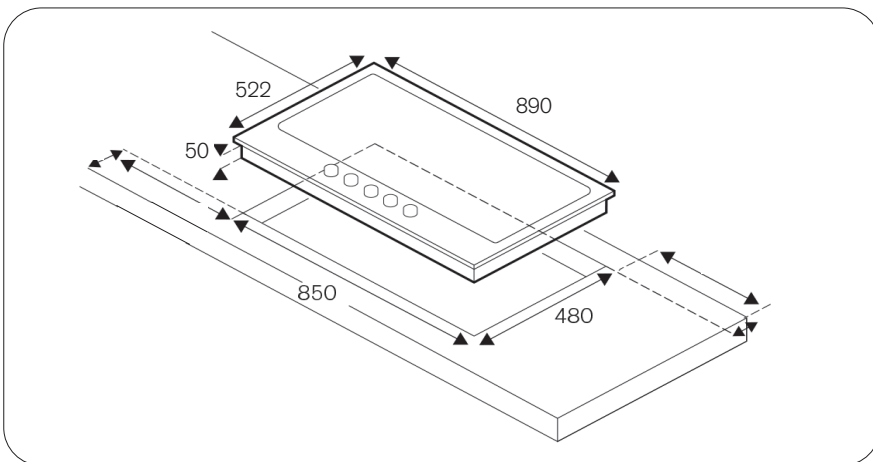


GAS COOKTOPS

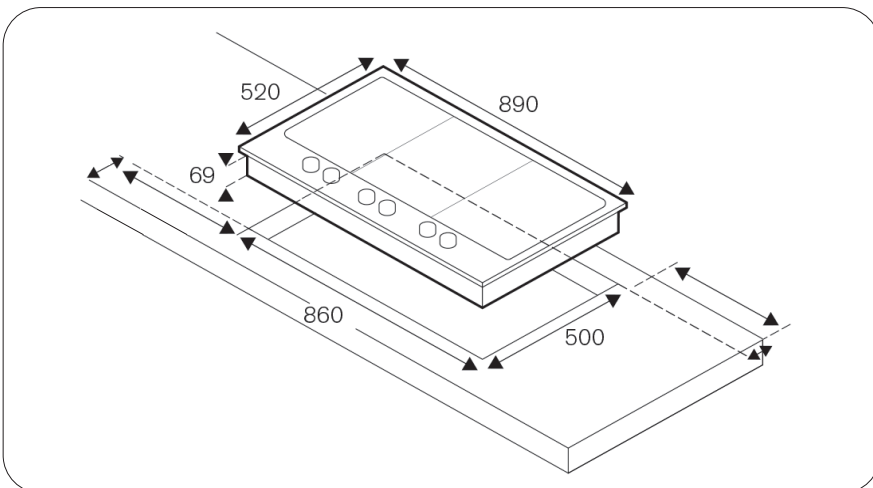
600mm & 750mm Gas (Same cut out dimensions)



900mm Gas - P905 Models

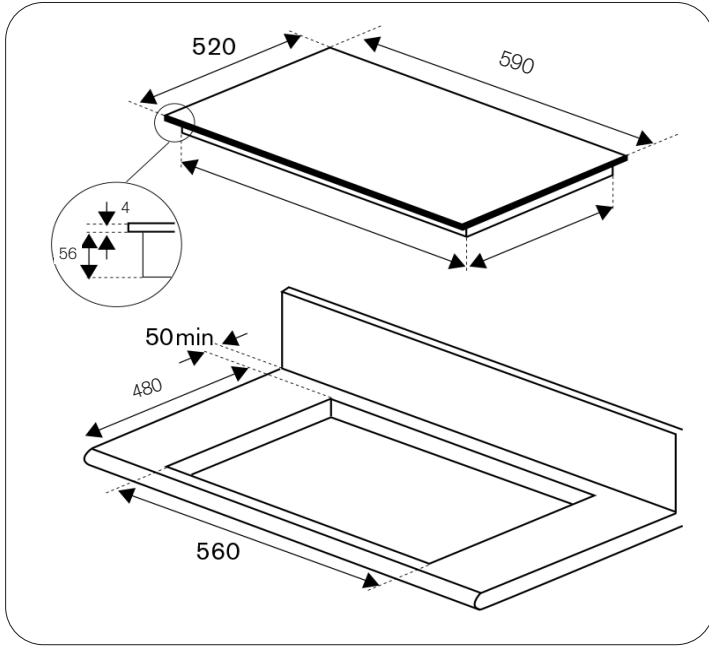


900mm Segmented Gas - PM365SOX

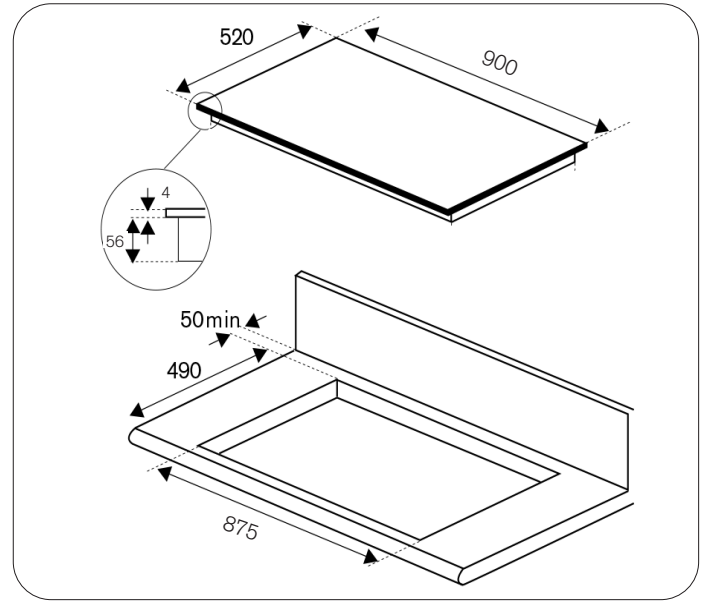


INDUCTION COOKTOPS

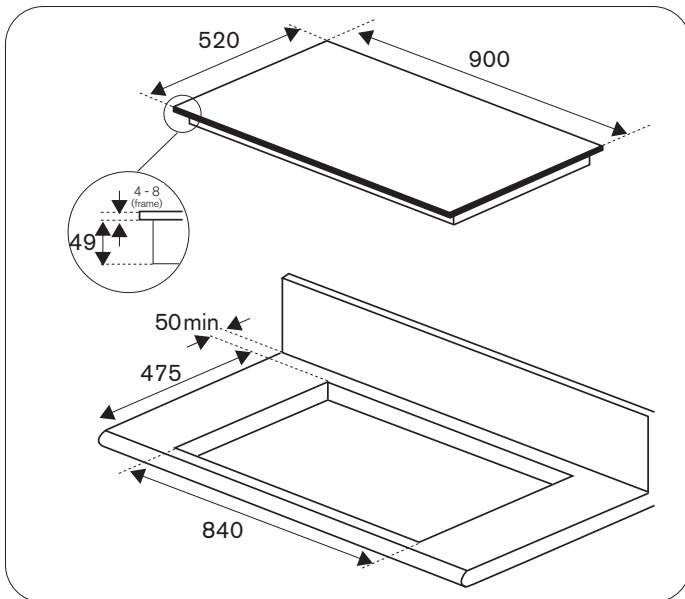
600mm (Same cut out dimensions)



900mm



900mm - P905I1M37 Models





All prices include GST and are correct at time of printing. Whilst every effort has been made to ensure the accuracy of the information contained in this price list, Bertazzoni reserves the right to change any part of the information at any time without notice.



CASA BERTAZZONI MELBOURNE

325 CLARENDON STREET

SOUTH MELBOURNE VIC 3205

P: 1800 65 42 65

E: SALESSUPPORT.AU@BERTAZZONI.COM

W: AU.BERTAZZONI.COM