

## 90 cm Air-Tec cooker with induction top and integrated hood, electronic oven Professional Series



### **PROCH941EXT**

The 90cm freestanding Air-Tec cooker packs three high-performance appliances into one. An efficient integrated extraction system is added to the design and technology of the Professional Series cookers.

The hob is equipped with 4 induction zones controlled through the ergonomic metal knobs. Multi-zone technology allows you to combine two zones to create a larger one, suitable for large pots.

The oven has 11 functions, from convection, baking and grilling to fast-preheat. Triple-glazed oven doors feature soft motion hinges and anti-slam closing system, and also minimise heat loss.

The integrated 10-speed hood, controlled through the dedicated knob, can be installed in suction or filtering mode. The integrated ventilation system is 100% safe against water spillage.

The Automatic function allows you to automatically adjust the suction power of the hood, according to the power of the induction zones in use. The carbon filters can be regenerated in the oven for long-lasting use.

Toekick sold separately.

Colours shown will vary depending on your screen settings and resolution. Contact your dealer for further advice.

[Guarda online](#)

# Specifications

## Features

### Worktop

Size	90 cm
Cooking zones	4
Number of induction zones	4, included 2 bridge zones
Worktop type	induction
Worktop design	stainless steel squared
Worktop controls	knobs
Knobs	professional titanium

### Cooking zones

Induction front left	(200 x 210 mm) 2100 W
Induction back left	(200 x 210 mm) 2100 W
Induction front right	(200 x 210 mm) 2100 W
Induction back right	(200 x 210 mm) 2100 W

### Hood

Hood type	integrated
Speed	9 + booster
Filters type	aluminum
Hood special functions	automatic ignition / delayed shutdown / filter saturation alarm / filter saturation alert
Energy class	A

### Oven cavity

Oven configuration	single
Oven fuel	electric
Oven type	electric multifunction
Oven grill type	electric
Cooking modes	bake / bottom bake / convection / convection bake / convection grill / defrosting / fast preheat / grill / oven light / pizza / upper bake
Net oven volume	103 L
Oven convection system	single with ring heating element

Oven controls	knobs / touch digital programmer
Inner oven door	triple
Removable inner glass	yes
Cooling fan	yes
Oven levels	4
Timer	touch digital programmer
Food probe	yes
Oven door closing	anti-slam system
Sliding shelves	1 standard + 1 extraction handle
Wire-shelves	2 chromed
Tray	1 enamelled + 1 grid tray
Grill trivet for tray	yes
Oven lights	double

**Bottom**

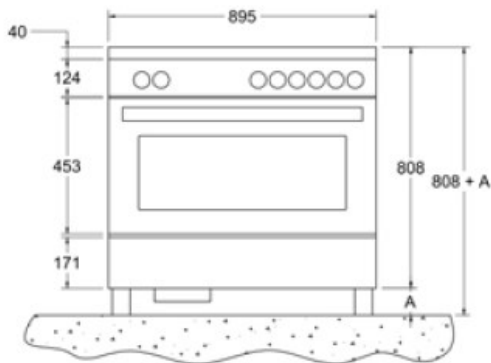
Legs	stainless steel
------	-----------------

**Technical specifications**

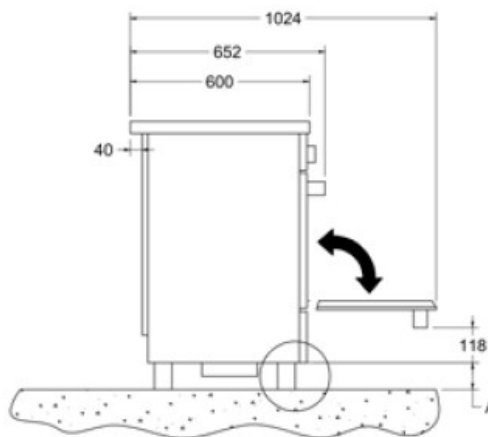
Voltage and frequency	220/240 V - 50/60 Hz – 50 A
Absorbed power (W)	11100 W

**Dimensions**

**FRONT**



**TOP**



---